

ADDENDUM NUMBER 1 TO THE BID DOCUMENTS
Amendment Date: **January 8, 2020**

HOMEWOOD FLOSSMOOR PARK DISTRICT
IRONS OAKS PARKING IMPROVEMENTS

A. This Amendment shall be considered part of the bid documents for the above-mentioned project as though it had been issued at the same time and shall be incorporated integrally therewith. Where provisions of the following supplementary data differ from those of the original bid documents, this Amendment shall govern and take precedence. BIDDERS MUST SIGN TO ACKNOWLEDGE THE RECEIPT OF THIS ADDNEDUM ON THE BID FORM.

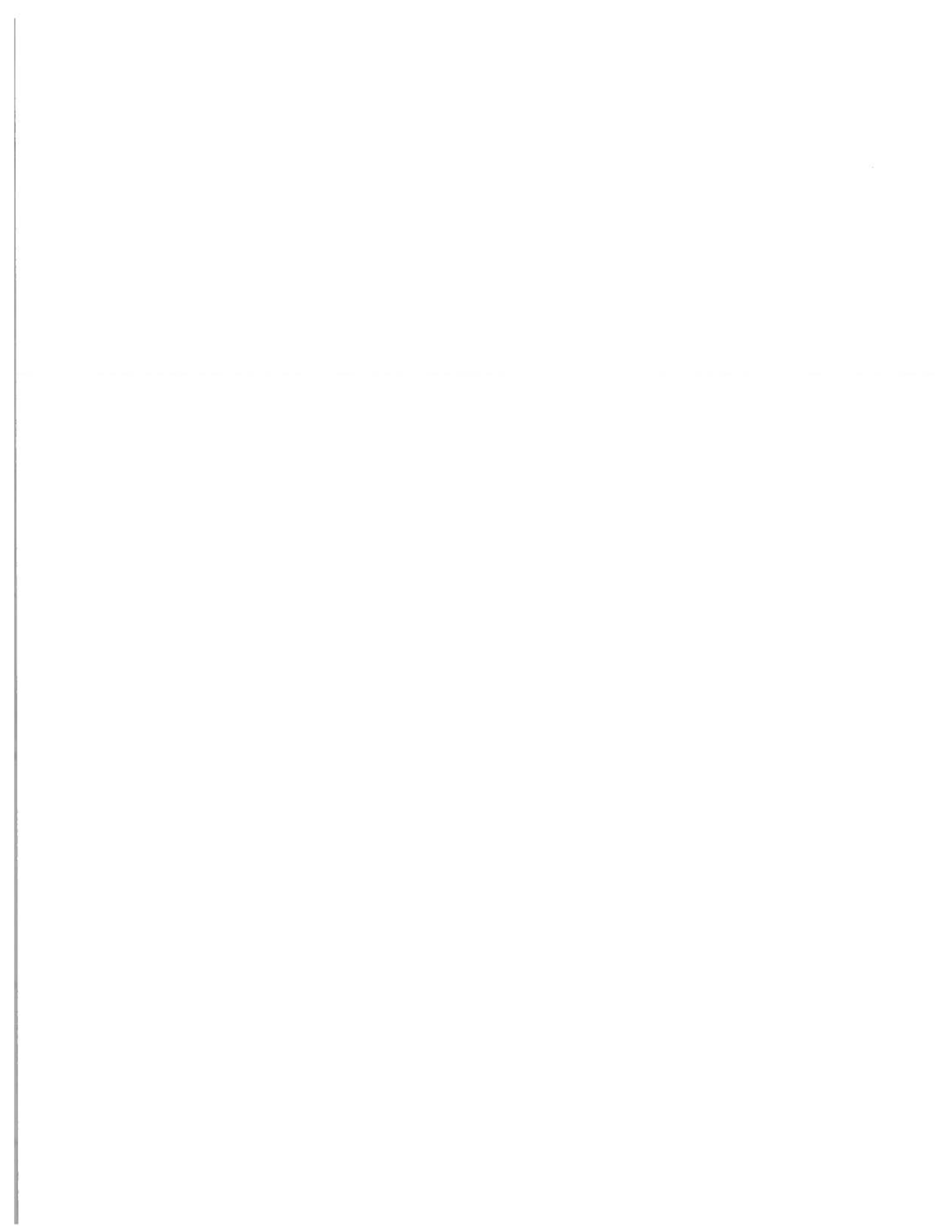
B. Bidders are hereby notified that they shall make any necessary adjustments in their estimates as a result of this Amendment. It will be construed that each bidder's proposal is submitted with full knowledge of all modifications and supplemental data specified herein.

Except as described below, the original bid document remains unchanged. The bid documents are modified and/or clarified, as follows:

1. **Light Pole Fixtures:** The light pole fixtures shall be ALED 26 heads. Specs are attached.

If you have any questions, please contact Cheryl Vargo at cvargo@hfparks.com or phone 708-481-2330.

BIDDERS MUST SIGN TO ACKNOWLEDGE THE RECEIPT OF THIS ADDENDUM ON THE BID FORM.





ALED Area Lights mount to 4" square steel poles at 15-20'. 1 to 4 fixtures can be mounted to each pole. IES Full Cutoff, Fully Shielded optics. 5-year, no-compromise warranty.

Color: Bronze

Weight: 6.5 lbs

Project:	Type:
Prepared By:	Date:

Driver Info		LED Info	
Type:	Constant Current	Watts:	26W
120V:	0.26A	Color Temp:	5000K
208V:	0.16A	Color Accuracy:	73 CRI
240V:	0.14A	L70 Lifespan:	100000
277V:	0.12A	Lumens:	3475
Input Watts:	30W	Efficacy:	118 LPW
Efficiency:	88%		

Technical Specifications

Listings

UL Listing:

Suitable for wet locations

DLC Listed:

This product is on the Design Lights Consortium (DLC) Qualified Products List and is eligible for rebates from DLC Member Utilities.
DLC Product Code: P00001700

IESNA LM-79 & IESNA LM-80 Testing:

RAB LED luminaires have been tested by an independent laboratory in accordance with IESNA LM-79 and 80, and have received the Department of Energy "Lighting Facts" label

Dark Sky Approved:

The International Dark Sky Association has approved this product as a full cutoff, fully shielded luminaire

LED Characteristics

Lifespan:

100,000-hour LED lifespan based on IES LM-80 results and TM-21 calculations

Lumen Maintenance:

The LED will deliver 70% of its initial lumens at 100,000 hours of operation

Color Consistency:

7-step MacAdam Ellipse binning to achieve consistent fixture-to-fixture color

Color Stability:

LED color temperature is warranted to shift no more than 200K in CCT over a 5 year period

Color Uniformity:

RAB's range of CCT (Correlated Color Temperature) follows the guidelines of the American National Standard for Specifications for the Chromaticity of Solid State Lighting (SSL) Products, ANSI C78.377-2017.

Construction

IP Rating:

Ingress Protection rating of IP66 for dust and water

IES Classification:

The Type IV distribution (also known as a Forward Throw) is especially suited for mounting on the sides of buildings and walls, and for illuminating the perimeter of parking areas. It produces a semiCircular distribution with essentially the same candlepower at lateral angles from 90° to 270°.

Housing:

Precision die cast aluminum housing, lens frame

Gaskets:

High temperature silicone

Effective Projected Area:

EPA = 0.27.

Finish:

Formulated for high-durability and long lasting color

Green Technology:

Mercury and UV-free. RoHS compliant components. Polyester powder coat finish formulated without the use of VOCs or toxic heavy metals.

Ambient Temperature:

Suitable For use in 40°C (104°F) ambient temperatures

Cold Weather Starting:

Minimum starting temperature is -40°C (-40°F)

Electrical

Driver:

Multi-chip 26W high output long life LED Driver Constant Current, 720mA, Class 2, 6kV Surge Protection, 100V-277V, 50-60 Hz, 100-240V.4 Amps.

Other

Patents:

The ALED design is protected by U.S. PATENT D608,040 and patents pending in the U.S., Canada, China, Taiwan and Mexico.

Equivalency:

Equivalent to 70W Metal Halide

Warranty:

RAB warrants that our LED products will be free from defects in materials and workmanship for a period of five (5) years from the date of delivery to the end user, including coverage of light output, color stability, driver performance and fixture finish.

Buy American Act Compliance:

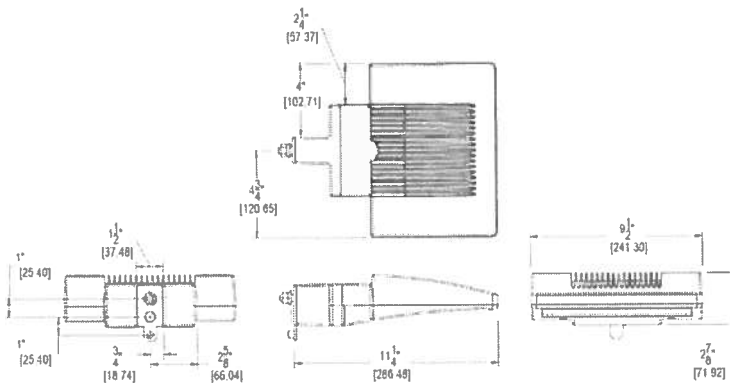
RAB values USA manufacturing! Upon request, RAB may be able to manufacture this product to be compliant with the Buy American Act (BAA). Please contact customer service to request a quote for the product to be made BAA compliant.

Optical

BUG Rating:

B1 U0 G0

Dimensions



Features

- High output LED light engine
- Maintains 70% of initial lumens at 100,000 hours
- Weatherproof high temperature silicone gaskets
- Superior heat sinking with die cast aluminum housing and external fins

Ordering Matrix

Family	Wattage	Color Temp	Finish	Photocell	Dimming
ALED	26 = 26W	Blank = 5000K (Cool) Y = 3000K (Warm) N = 4000K (Neutral)	Blank = Bronze W = White	Blank = No Photocell /PC = 120V Button /PC2 = 277V Button	Blank = No Dimming /D10 = Dimmable